



Kranlyft

Maeda LC785

Technical specifications

Offering the best balance of power and design

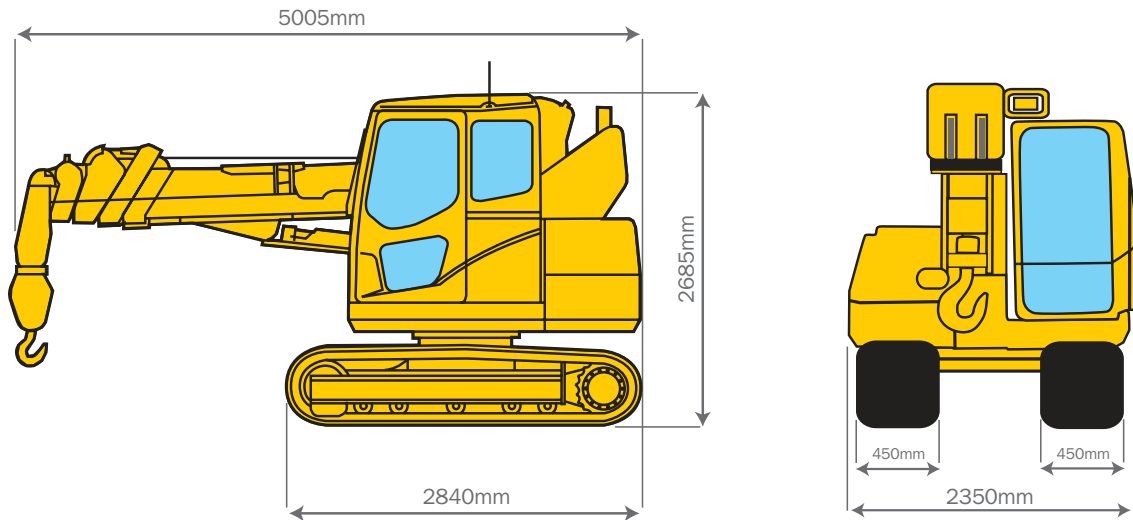


- 2000kg Pick & Carry Duty
- Two Travel Speeds
- Programmable Moment Limiter
- Steel Tracks
- Hydrostatic Transmission
- Fully Enclosed Air Conditioned Cab
- 4 Fall / 2 Fall Hook Block
- Tilt Sensor/Alarm
- Powerful Winch with Hydraulic Disc Brake
- Two Speed Winch
- Fully Automatic Pentagonal Section Boom
- Minimal Tail Swing

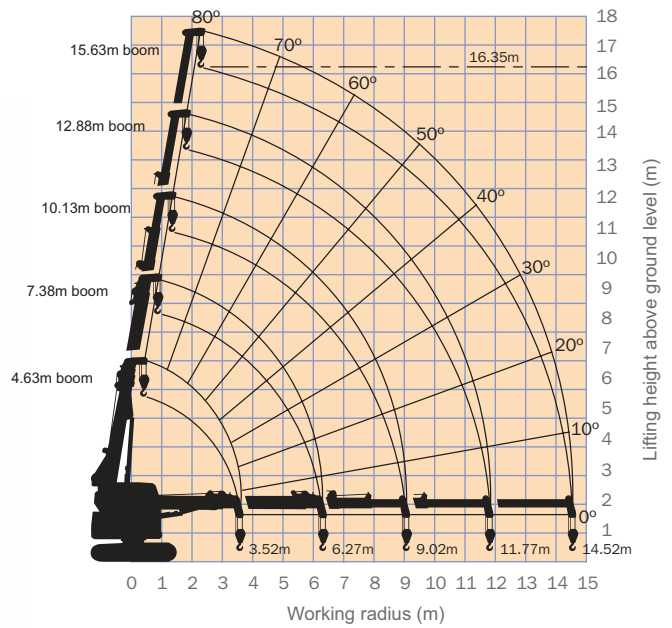
Specification		
Model		LC785
Crane capacity		4.9 t x 2.1m
Max. working radius		14.52m
Max. lifting height		16.35m
Hook speed		Two speed 27 / 39m / min. (4 falls, 4th layer)
Single line speed		Two speed 108 / 156m / min. (4th layer)
Hoist rope		IWRC 6 x Fi (29) 10mm x 115m
Telescopic system	Boom length Telescoping speed Boom type	4.63m - 15.63m 11m / 24.5 sec Fully automatic 5 section pentagonal telescopic boom
Boom hoist system	Hoist angle / speed	- 2° to 80° (12.5 sec.)
Slew system	Slew angle / speed	360° continuous / 2.4 rpm
Drive		Both sides independent steering control, hydraulic piston motor with in-built automatic brake, planet reduction gears, sprocket crawler.
Traction speed	Travel speed – low Travel speed – high Gradability Crawler length x width Ground pressure	0 – 2.5 km/h 0 – 3.8 km/h 20° 1,870mm x 450mm 46.8 kpa / cm ² (0.48 kg / cm ²)
Engine	Model Type Rated output Fuel / Fuel tank capacity	Komatsu S4D95LE-3-A 4 cylinder diesel, water cooled, direct injection 40.5 Kw (55PS) / 1850rpm Diesel / 141 L
Dimensions	Length x Width x Height Weight	5005mm x 2350mm x 2685mm 9700kg
Standard equipment		Safe load indicator, steel tracks, 4-fall / 2-fall hook block, working light, hour-meter and inclination alarm.
Optional equipment		Single fall hook, rubber pads (400kg), fly-jib.

Maeda LC785 Dimensions

Overall Size



Working Range Chart



The Working Range Chart does not take into account boom deflection under load.

The maximum reach below ground level is:

Four Fall	Two Fall	Single Fall
25.10m	51.30m	104.50m



Maeda LC785 Load Charts

Total rated load

4.63m boom		7.38m boom		10.13m boom		12.88m boom		15.63m boom	
Working radius (m)	Total rated load (kg)	Working radius (m)	Total rated load (kg)	Working radius (m)	Total rated load (kg)	Working radius (m)	Total rated load (kg)	Working radius (m)	Total rated load (kg)
2.0	4900	2.0	4900	2.0	2600	2.0	2000	2.0	
2.5	3800	2.5	3760	2.5	2600	2.5	2000	2.5	1400
3.0	2900	3.0	2980	3.0	2310	3.0	2000	3.0	1400
3.5	2290	3.5	2420	3.5	2010	3.5	1890	3.5	1400
4.0		4.0	2000	4.0	1750	4.0	1650	4.0	1400
4.5		4.5	1670	4.5	1530	4.5	1450	4.5	1320
5.0		5.0	1400	5.0	1340	5.0	1280	5.0	1200
6.0		6.0	1000	6.0	1030	6.0	1010	6.0	990
7.0		7.0		7.0	780	7.0	800	7.0	820
8.0		8.0		8.0	580	8.0	630	8.0	680
9.0		9.0		9.0	410	9.0	500	9.0	560
10.0		10.0		10.0		10.0	390	10.0	450
11.0		11.0		11.0		11.0	300	11.0	360
12.0		12.0		12.0		12.0		12.0	280
13.0		13.0		13.0		13.0		13.0	210
14.0		14.0		14.0		14.0		14.0	200
14.52		14.52		14.52		14.52		14.52	200



Pick & Carry duties

4.63m boom		7.38m boom		10.13m boom	
Working radius (m)	Total rated load (kg)	Working radius (m)	Total rated load (kg)	Working radius (m)	Total rated load (kg)
2.00	2000	2.00	2000	2.00	1400
2.50	2000	2.50	2000	2.50	1400
3.00	1670	3.00	1700	3.00	1360
3.50	1330	3.50	1380	3.50	1170
		4.00	1140	4.00	1020
		4.50	960	4.50	890
		5.00	810	5.00	770
		5.50	690	5.50	680
		6.00	590	6.00	590
		6.27	540	6.27	550
				6.50	510
				7.00	440
				7.50	380
				8.00	320
				8.50	270
				9.00	230
				9.02	230

Pick & Carry duties are available at boom lengths up to 10.13 metres.

The Total Rated Load Charts are based on the actual working radius including boom deflection. The weight of the hook (standard 4 fall - 90kg) must be included as part of the load shown in the Total Rated Load Charts.

When using two fall or single fall hooks, use the appropriate four fall Total Rated Load Chart above but with a **maximum load** of: Two Fall - 2450kg, Single Fall - 1220kg.



Maeda Mini Crawler Cranes

Little cranes with **BIG** ideas



For further details please contact Kranlyft. Due to improvements, the specifications are subject to change without notice.



+46 31 80 70 00
+44 117 982 6661

INFO@KRANLYFT.COM
WWW.MAEDACRANES.COM

Distributor: