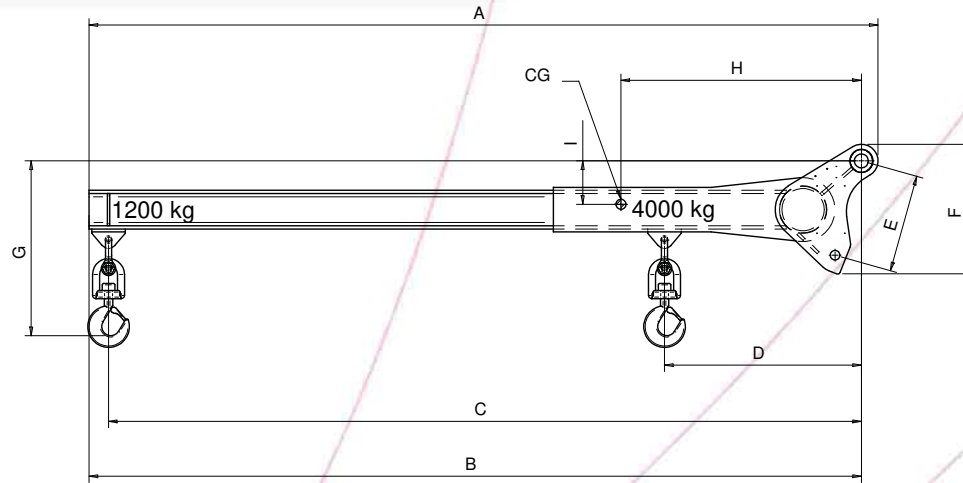
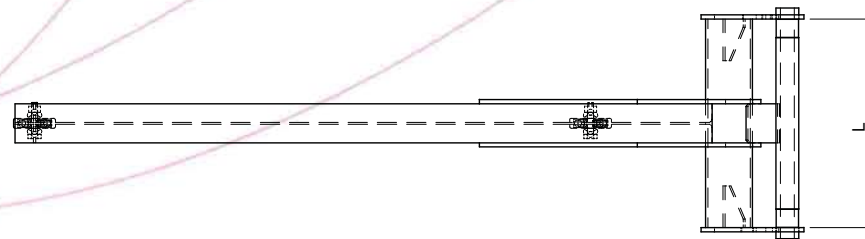


P 4000



Description:

2.7 m long jib with two capacities: 4000 kg at 0.70 m and 1200 kg at 2.7 m



CHARACTERISTICS

DESCRIPTION	LOAD LIMIT	OVERALL LENGTH										WEIGHT
		A	B	C	D	E	F	G	H	I	L	
P 4000	4000/1200 Kg	2838	2778	2708	708	352	466	629	865	156	750	210 KG