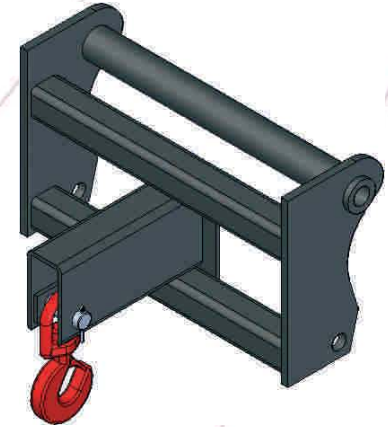
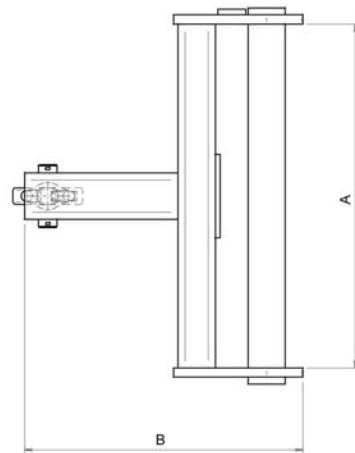
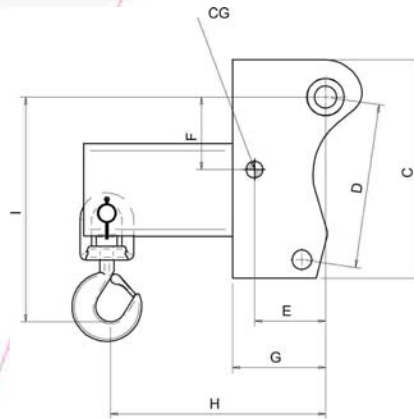


PC 40



Description:
0.50 m long jib with carrying capacity of 4000 kg

CHARACTERISTICS

| DESCRIPTION | LOAD LIMIT | OVERALL LENGTH | | | | | | | | | | WEIGHT |
|-------------|------------|----------------|-----|-----|-----|-----|-----|-----|-----|-----|--------|--------|
| | | A | B | C | D | E | F | G | H | I | | |
| PC 40 | 4000 Kg | 740 | 598 | 470 | 354 | 153 | 156 | 200 | 462 | 484 | 120 KG | |