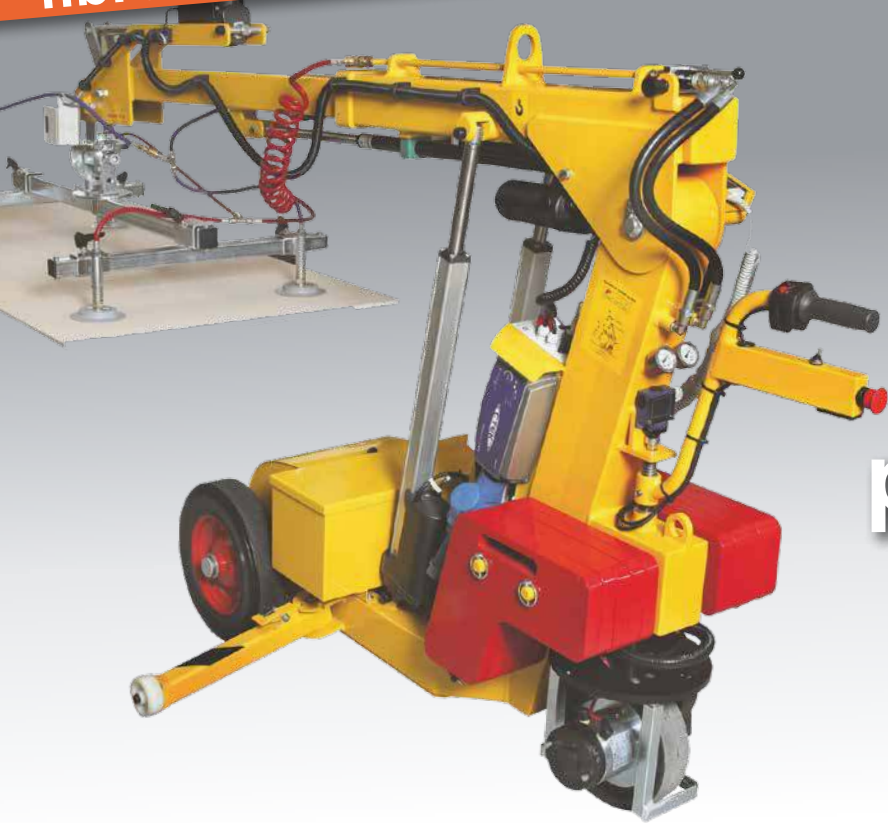


For plasterboard,
fibre board etc.

SL Gipsy
for indoor use



Handles plasterboards the easy way

Smartlift has developed a special version of the popular self-driven Smartlift which has been designed for working with plasterboard, fibre board, etc.

- Two vacuum circuits with two pumps
- Stepless in all its movements
- Automatic setting to horizontal or vertical position via gyro system
- Double speed on lift, extension and tilt
- Self-propelled
- Labour-saving
- Enhances the working environment
- Tried-and-tested Danish quality



SL Gipsy has a built-in gyro system to allow the lift to find a horizontal or vertical position quickly and automatically.

N.A. Christensensvej 39
DK-7900 Nykøbing Mors
Tel: +45 97 72 29 11
E-mail: smart@smartlift.dk
www.smartlift.dk

Smart Lift
DENMARK



The lift has a side extension to the last correction of the plasterboards before installation.



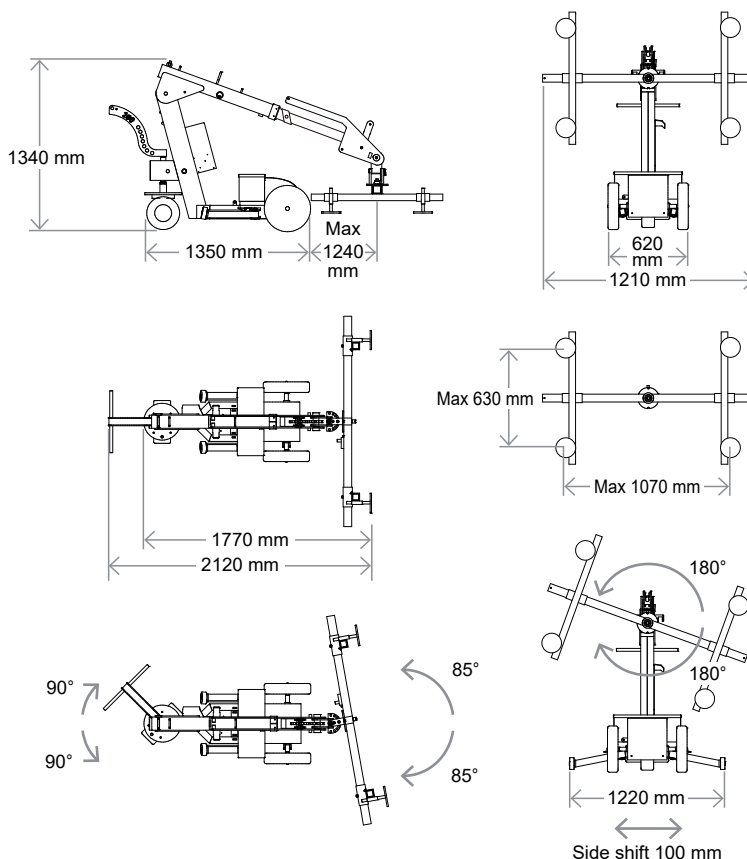
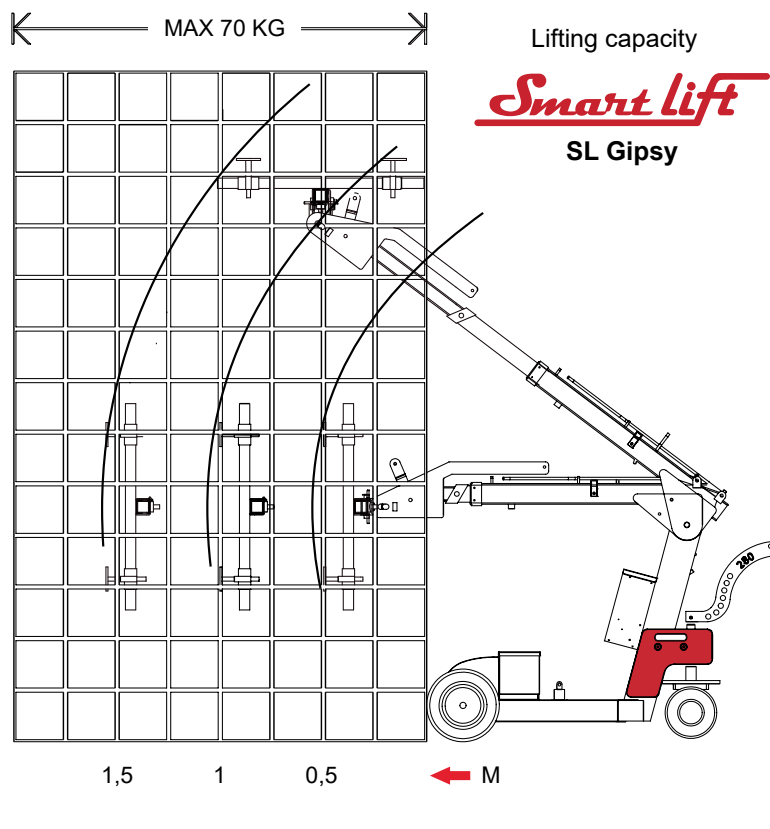
The beam has a manual extension in addition to the electrical.



SL Gipsy runs at double speed when lifting, extending and tilting, and therefore meets demands for a rapid tempo often required in fitting work.

Technical data

Description	Value
Weight	480 kg
Height	1340 mm
Width (min)	620 mm
Length (min)	2120 mm
Extension of arm	500 mm
Tip from horizontal	50° back/50° forward
Side shift	100 mm
Voltage charger	230 volt
Integrated charger	MXT 14
Charging time	Approx 8 hours
Battery (2x12 v) 24 volt	2 x 60 A
Running period	Approx 24 hours
Propelling engine	700 Watt
Suction discs	4 x Ø 125 mm



N.A. Christensensvej 39
 DK-7900 Nykøbing Mors
 Tel: +45 97 72 29 11
 E-mail: smart@smartlift.dk
 www.smartlift.dk