



# Technical Data

Specification & Capacities



## SPX424

S.N: \_\_\_\_\_



CDH: 14,9kW/20Hp



C+: 4,0kW/5,5Hp



2,6 - 8,5m



2400kg



EN 13000 B30.5

[m] [kg]



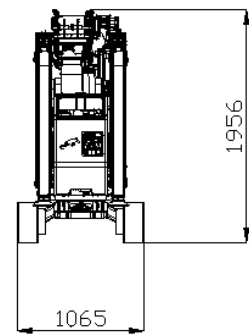
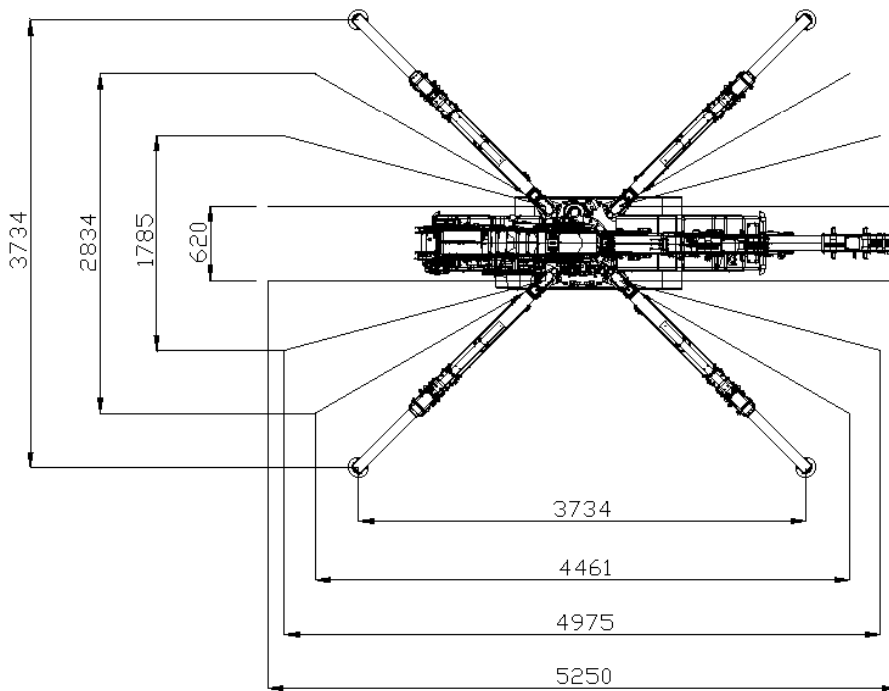
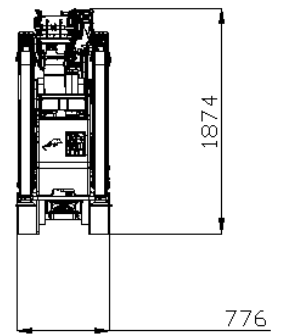
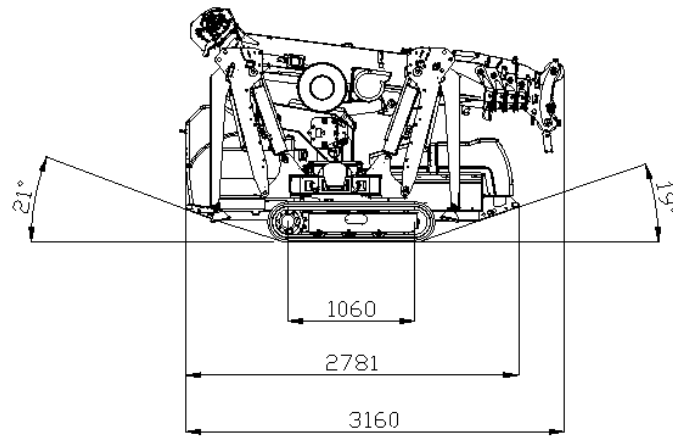
***SPX424***



Via Campardone, 7  
31014 Colle Umberto – Italy  
Tel. +39 0438 434443  
Mail: [info@jekko.it](mailto:info@jekko.it)  
Web: [www.jekko.it](http://www.jekko.it)

15	15/06/2015
REV	7

## SPX424 - OVERALL DIMENSIONS



		kg
		2030
		200
<b>Tot.</b>		<b>2230</b>

	km/h	1,8
	20°	
	kg/cm <sup>2</sup>	0,55
	kg	2200

	0°/75°	14 s
	360°	1,5 rpm
	m	2,6-8,5
		26 s

	KUBOTA D722-E3B		14,9kW 20Hp	
			GASOLINE	
			l	10
	n°4 6V 240Ah		24V-3F 4,0kW 5,5Hp	



## HOIST PERFORMANCE

Layer	Max Line Pull	Normal Line Speed	High Line Speed
	kg	m/min	m/min
1	1000 (*)	21	25.7
2	930 (*)	22.5	28.0
3	860 (*)	24.5	29.5
4	800	26	31.8

(\*) LMI limited at 800 [kg]

Wire Rope	Diameter	Tot. Length	Max Load
	mm	m	kg
A4 ALC	7	70	4.970

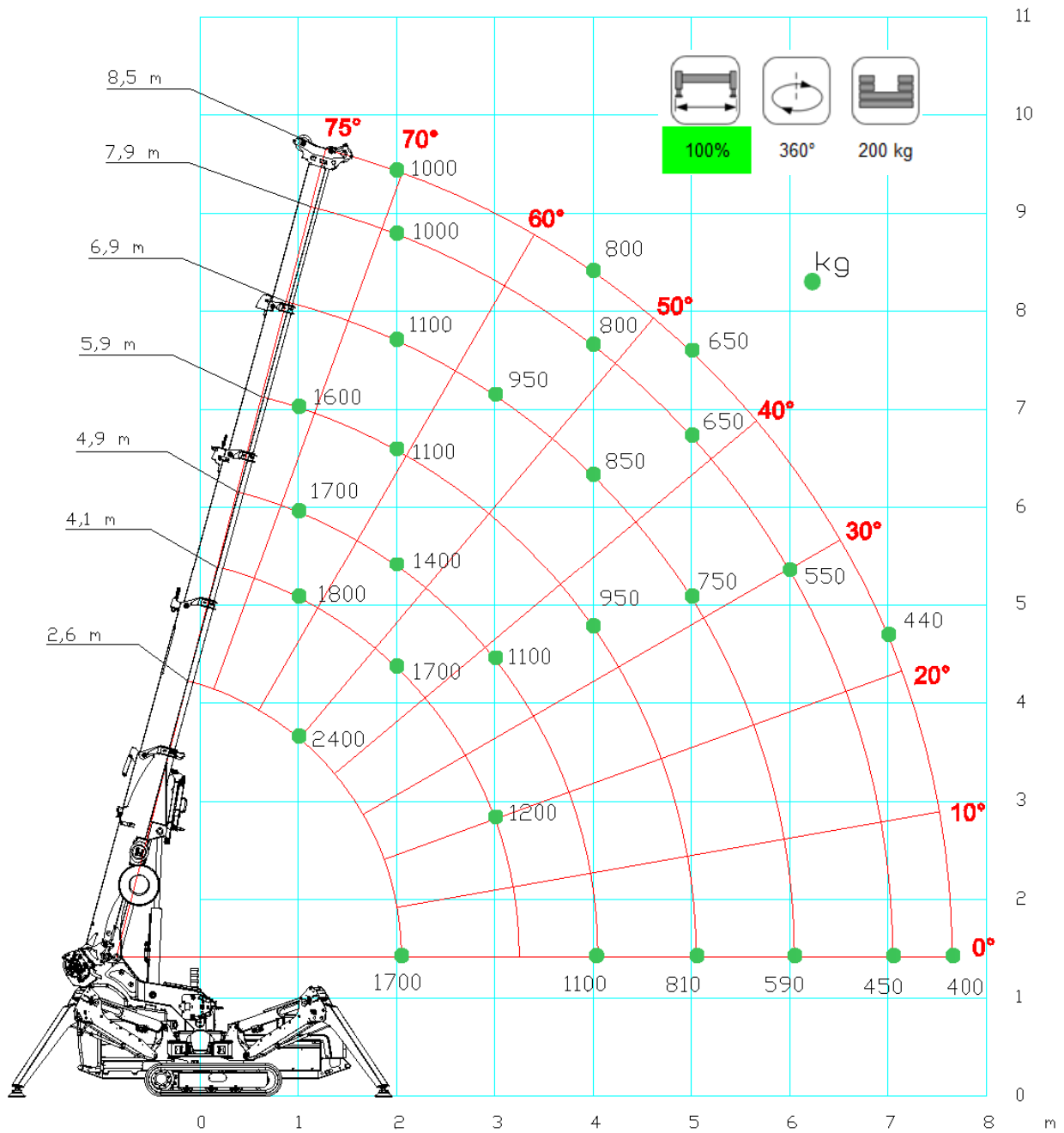
## HOOK BLOCK

LOAD	No. of	
	Sheaves	Lines
2400	2	3
1600	1	2
800		1



***SPX424***

## SPX424 – MAIN BOOM





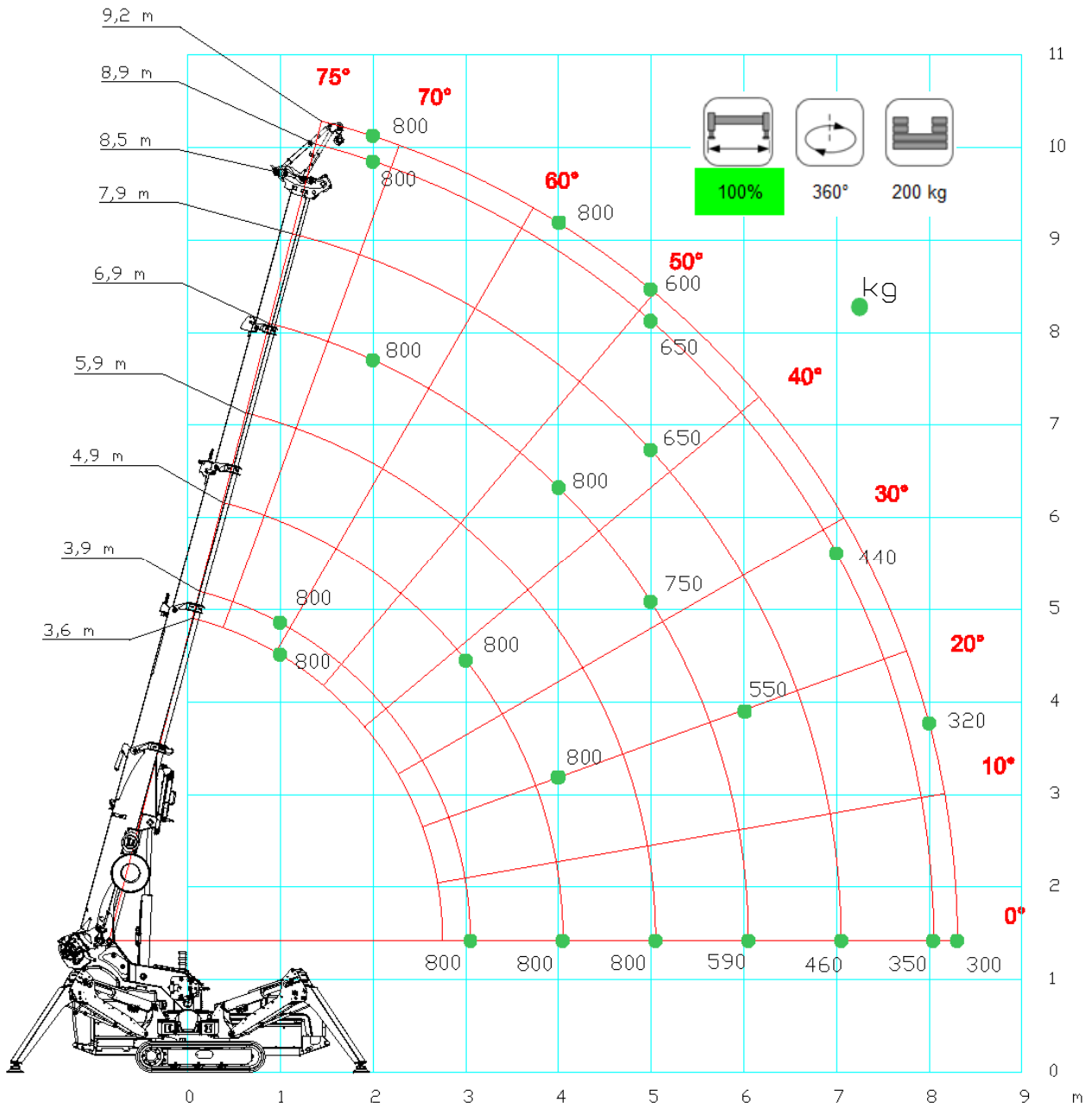
[m] [kg]							
		100%	360°	200 kg			
	2,6	4,1	4,9	5,9	6,9	7,9	8,5
1	2400	1800	1700	1600	1400	1200	1000
2	1700	1700	1400	1100	1100	1000	1000
3		1200	1100	1000	950	900	900
4			1100	950	850	800	800
5				810	750	650	650
6					590	550	500
7						450	440
7,6							400


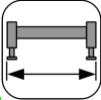
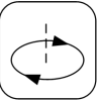

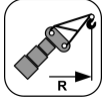
SPX0424.04.02.000.105.15.A

[m] [kg]							
		50%	360°	200 kg			
	2,6	4,1	4,9	5,9	6,9	7,9	8,5
1	2400	1800	1700	1600	1400	1200	1000
2	1700	1700	1200	1000	900	850	800
3		1000	1000	900	800	750	700
4			700	700	700	600	500
5				480	450	400	350
6					350	350	300
7						270	250
7,6							230


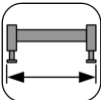
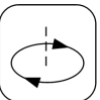

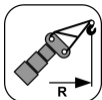
SPX0424.04.01.000.105.15.A

## SPX424 + JIB800GX



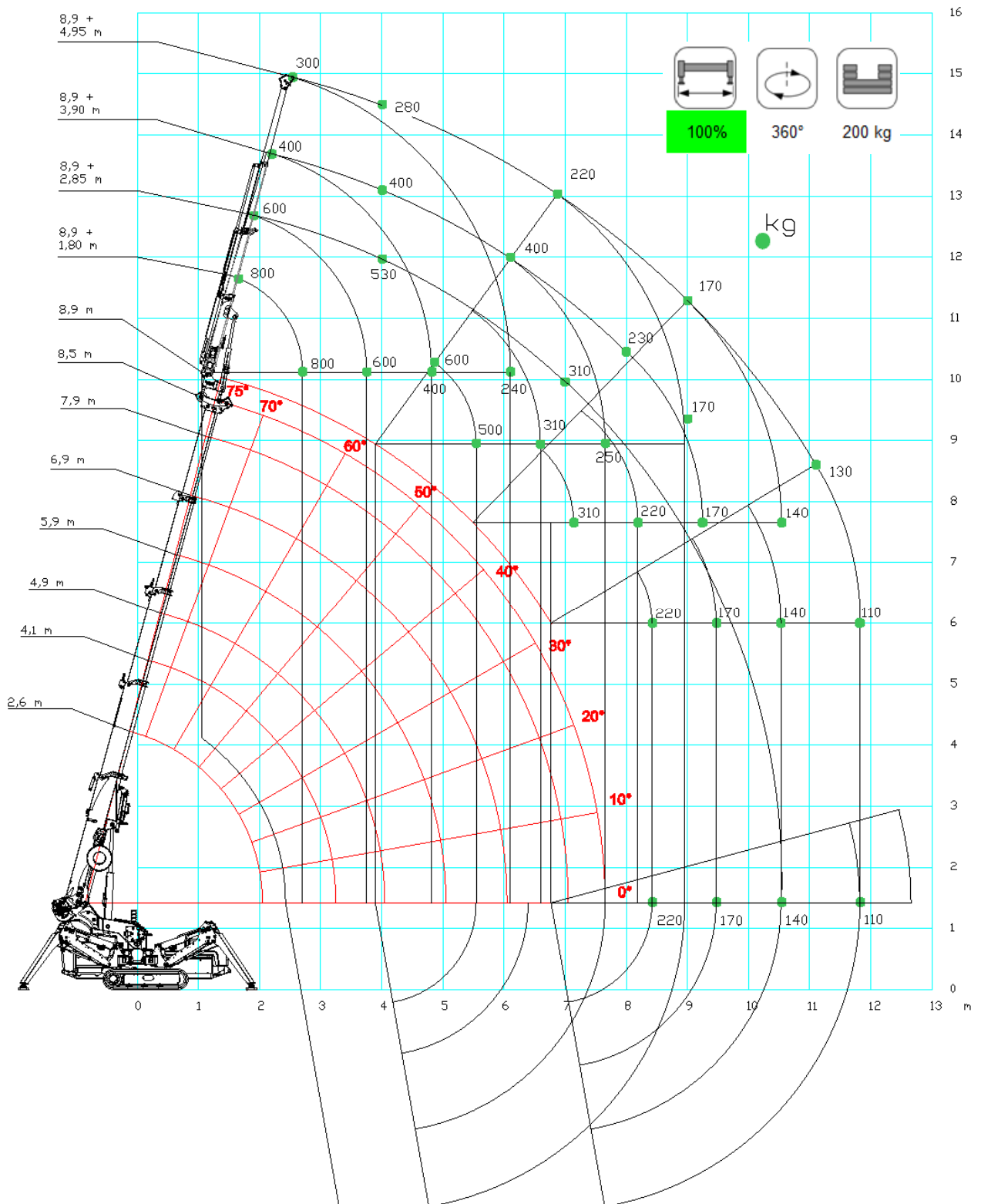
[m] [kg]								
	JIB800GX	100%	360°	200 kg				
	3,6	3,9	4,9	5,9	6,9	7,9	8,9	9,2
1	800	800	800	800				
2	800	800	800	800	800	800	800	800
3		800	800	800	800	800	800	800
4			800	800	800	800	800	800
5				800	750	650	650	600
6					590	550	500	450
7						460	440	400
8							350	400
8,3								300

SPX0424.04.02.312.2.05.15.A

[m] [kg]								
	JIB800GX	50%	360°	200 kg				
	3,6	3,9	4,9	5,9	6,9	7,9	8,9	9,2
1	800	800	800	800				
2	800	800	800	800	800	800	800	800
3		800	800	800	800	750	700	700
4			700	700	700	600	500	500
5				480	450	400	350	350
6					350	350	300	300
7						270	250	250
8							150	230
8,3								150

SPX0424.04.01312.2.05.15.A

## SPX424 + JIB800.2H1MX



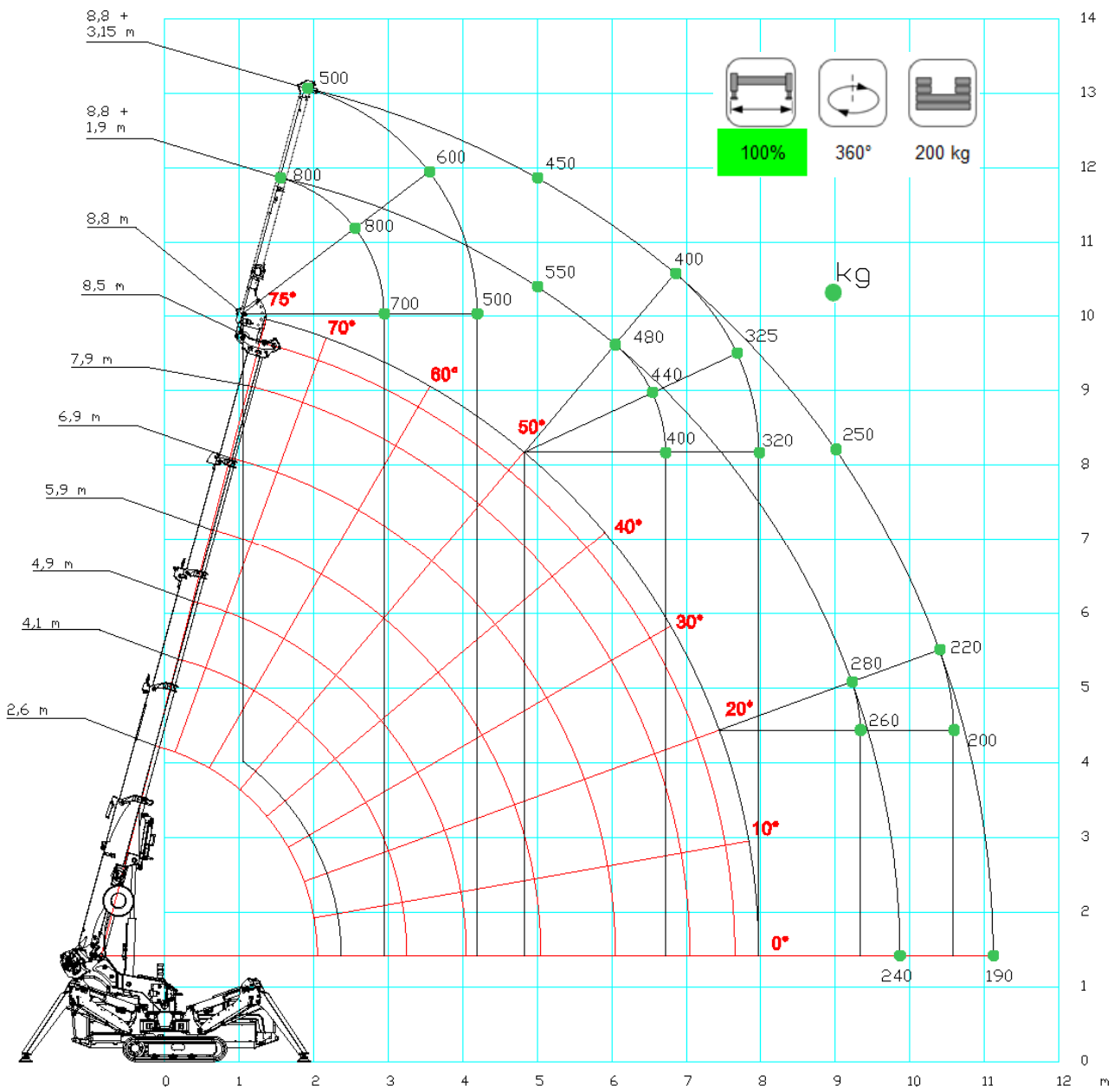
[m] [kg]				
	JIB800.2H1M X	100%	360°	200 kg
	1,80	2,85	3,90	4,95
2,0	800	600	400	300
3,0	800	600	400	300
4,0	800	600	400	280
5,0	680	600	400	260
6,0	460	460	400	240
7,0	310	310	310	220
8,0	230	230	230	200
9,0	170	170	170	170
10,0		140	140	140
11,0		130	130	130
11,8			110	110


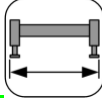
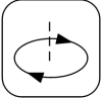


SPX0424.04.02.210.105.15.A

[m] [kg]				
	JIB800.2H1M X	50%	360°	200 kg
	1,80	2,85	3,90	4,95
2,0	800	600	400	300
3,0	800	600	400	300
4,0	560	560	400	280
5,0	350	350	350	260
6,0	220	220	220	220
7,0	130	130	130	130
8,0	80	80	80	80


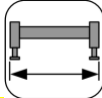
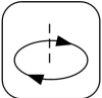

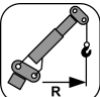
SPX0424.04.01.210.105.15.A

## SPX424 + JIB800.1MX



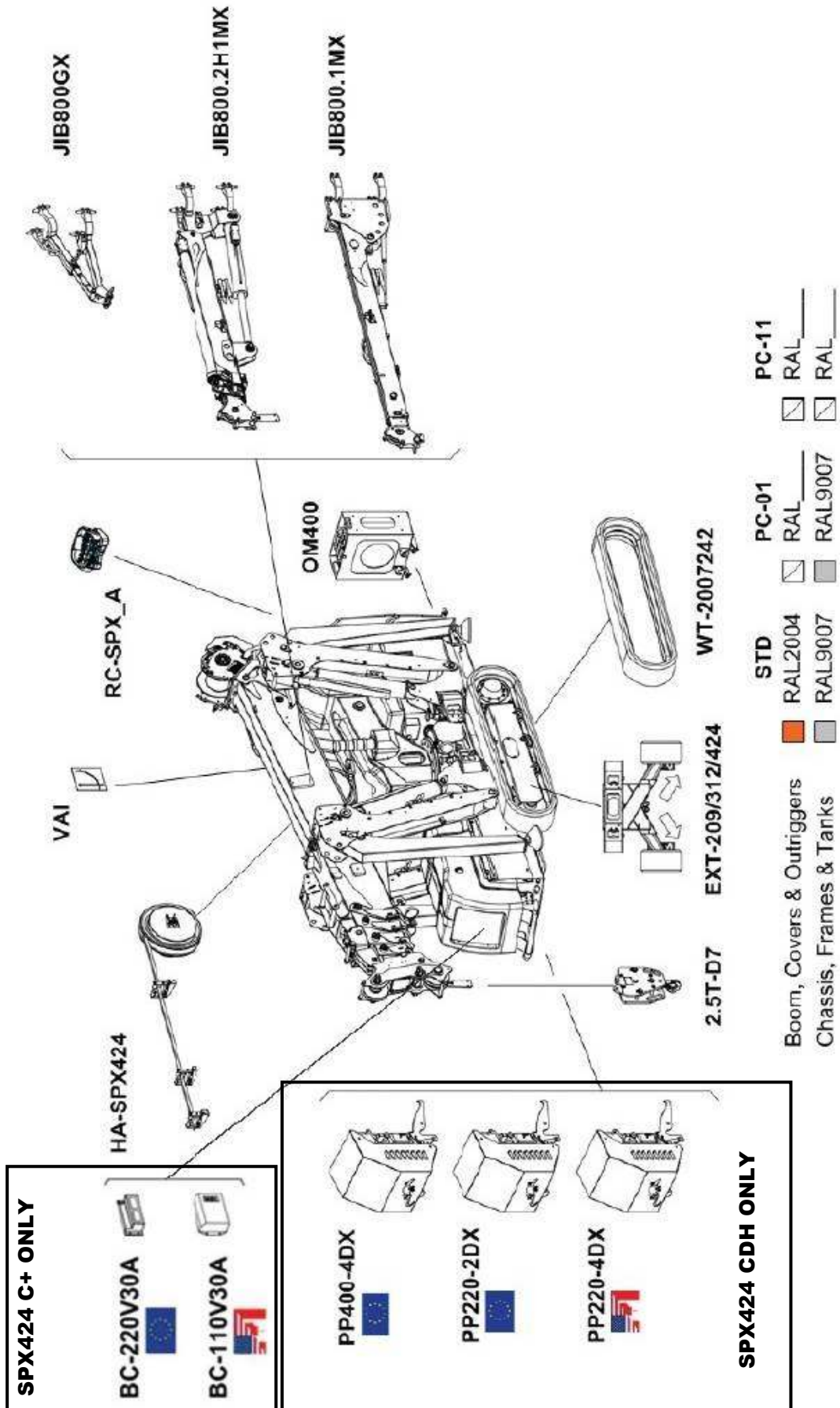
[m] [kg]				
 JIB 800.1M X	100%	360°	200 kg	
1,9	800	500		
2,0	700	480		
3,0	600	450		
4,0	550	420		
5,0	480	400		
6,0	410	380		
7,0	320	320		
8,0	250	250		
9,0	220	220		
10,0		190		
11,0				

SPX0424.04.02.120.105.15.A

[m] [kg]				
 JIB 800.1M X	50%	360°	220 kg	
1,9	800	500		
2,0	700	480		
3,0	600	450		
4,0	550	400		
5,0	400	300		
6,0	300	220		
7,0				

SPX0424.04.01.120.105.15.A

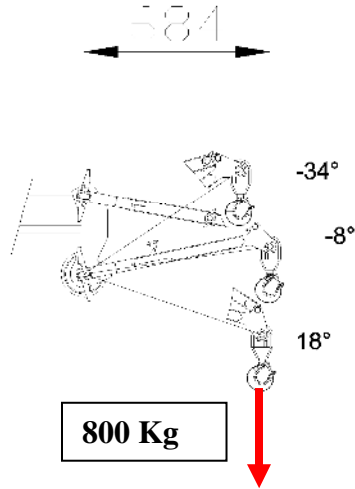
## ACCESSORIES





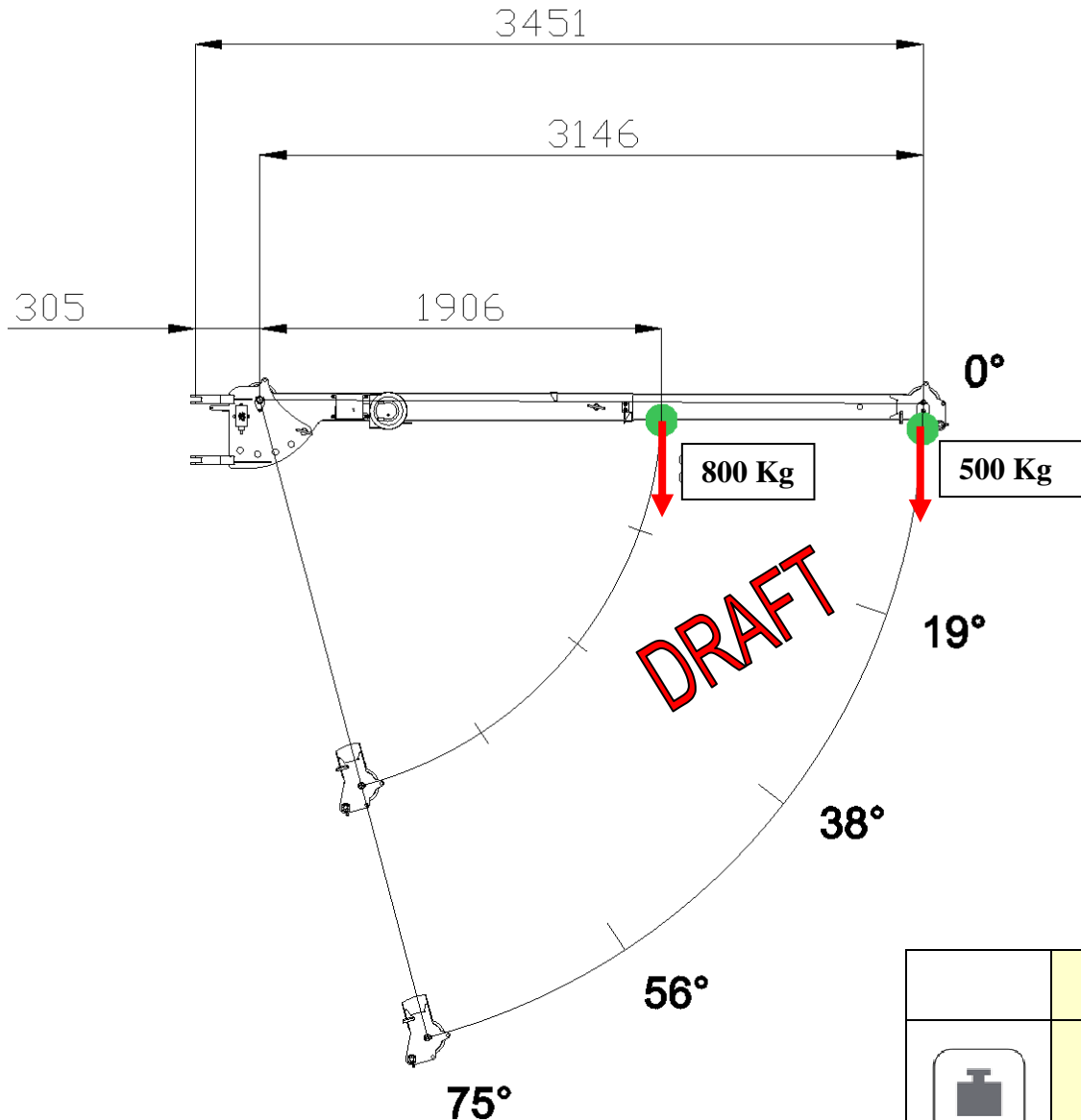
## ACCESSORIES FEATURES

**JIB800GX**



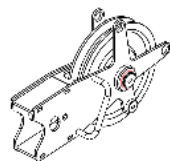
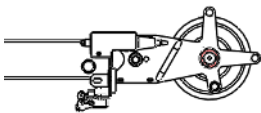
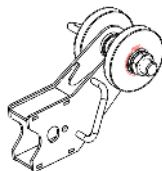
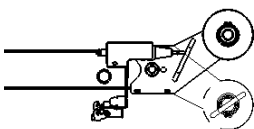
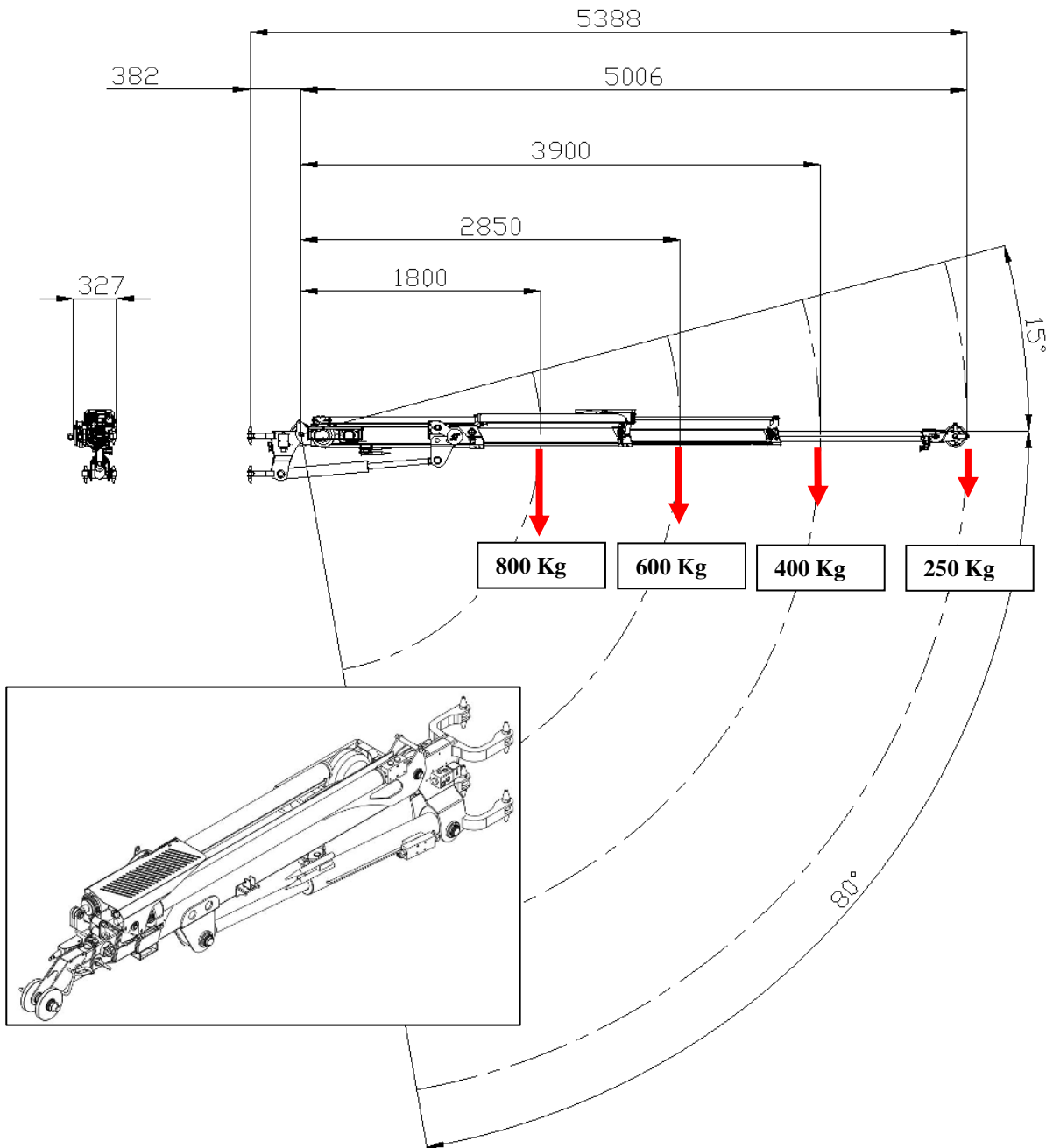
	kg
	25

**JIB800.1MX**



	kg
	110

## JIB800.2H1MX



	kg
	170

## SYMBOLS

 Weight	 Chart Wheels	 Engine	 Jib Length and Angle
 Counterweight	 Minipicker	 Diesel Fuel	 Jib Length
 Crane	 Back Wheel Point Loading	 Gasoline Fuel	 Jib Radius
 Travel Speed	 Front Wheel Point Loading	 Tank	 Hydraulic Jib Length
 Gradeability	 Travel Speed	 Battery	 Hydraulic Jib Radius
 Outtrigger Load	 Gradeability	 Power	 Mechanical Jib Length
 Track Loading	 Working Radius	 Boom Angle	 Mechanical Jib Radius
 Outriggers Setup	 Hookblock	 Boom Length	 Manipulator Length
 Ext Tracks Width	 Slewing	 Boom Radius	 Manipulator Radius
 Chart On Tracks	 Slewing Locked	 Jib Hook Radius	



NOTES

A large, empty rectangular box with a thin black border, intended for taking notes.



NOTES

A large, empty rectangular box with a thin black border, intended for taking notes.



NOTES

A large, empty rectangular box with a thin black border, intended for taking notes.



NOTES

A large, empty rectangular box with a thin black border, intended for taking notes.



DEALER



ORMET S.p.A. via Campardone, 7 Z.I. 31014 Colle Umberto (TV)  
Italy tel. +39 0438 434443 fax +39 0438 430115  
[www.jekko.it](http://www.jekko.it) - [www.ormet.it](http://www.ormet.it) - [info@jekko.it](mailto:info@jekko.it)