

# OKTOPUS® KS-Compact

For the installation of cladding panels



## Dual circuit system

For the use at construction sites in accordance with DIN EN 13155.

## Field of application

Suitable for horizontal and vertical installation of cladding panels.

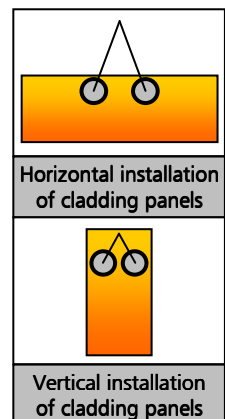
## Hoist

Forklift truck or crane (e.g. truck-mounted crane, tower crane)

## Suspension

Crane: adjustable crane eyelet at the vacuum unit

Forklift truck: forklift truck adapter



## Handable materials

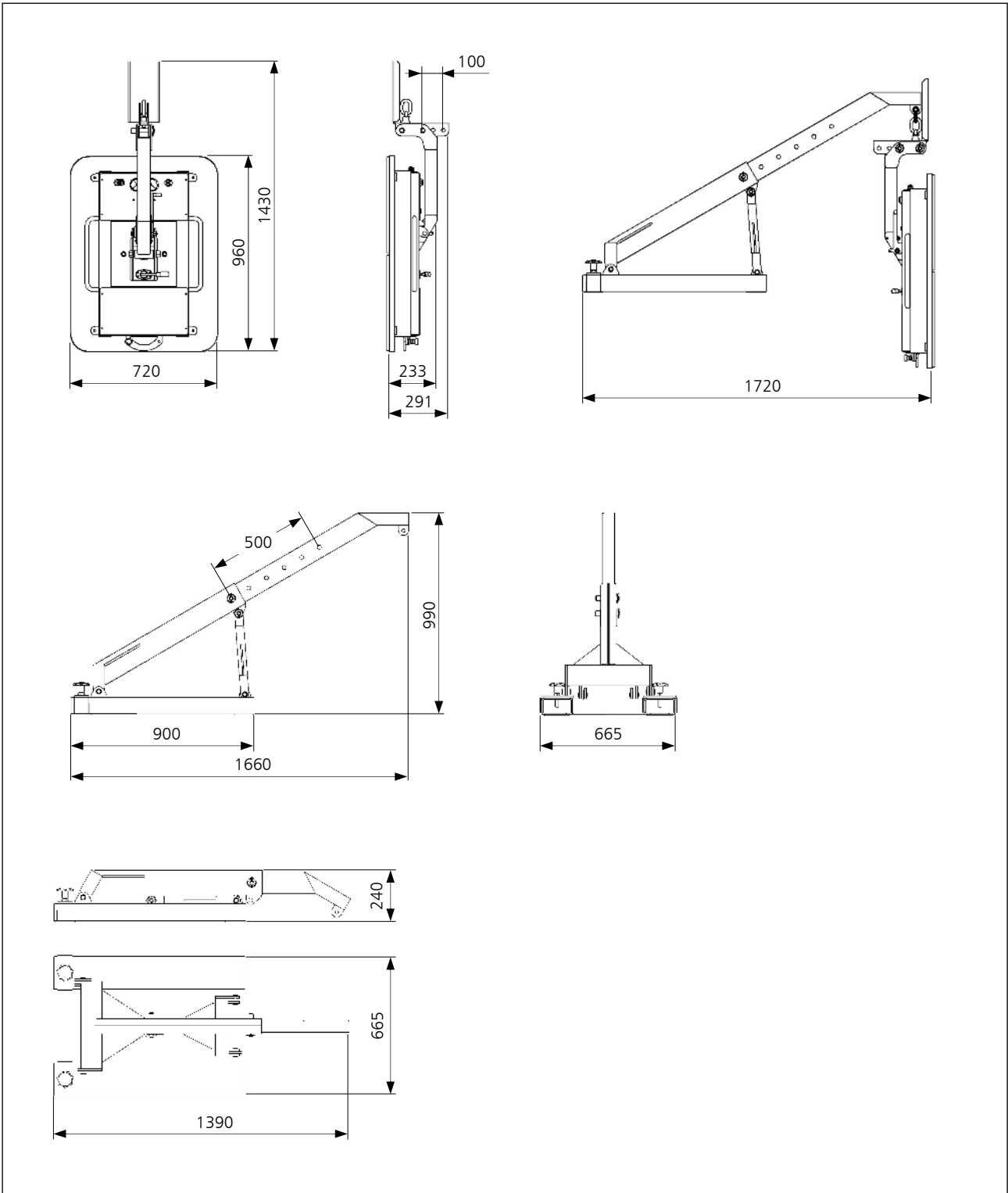
The approved rectangle suction cup of Wirth enables to transport and to assemble almost all customary cladding panels with a smooth or slightly profiled surface with the OKTOPUS® KS-Compact.

The construction elements to be processed with must be airtight on the suction areas, have a clean and even surface and may not be covered with a protective film.

## Application data

Safe Working Load:	400 kg
Weight of device:	approx. 100 kg (without forklift truck adapter) approx. 180 kg (with forklift truck adapter)
Controls:	control panel located directly at the device
Power supply:	rechargeable battery, 24 V
Vacuum generation:	vacuum pump
Suction cup:	Wirth rectangle suction cup 720 x 960 mm
Optional accessories:	transport and storage box

all dimensions are in mm



Subject to change.