

Smartlift allows for easy installation of a range of non-porous material



The vacuum head has two easy settings to allow for adjustment from canopy to table top lift

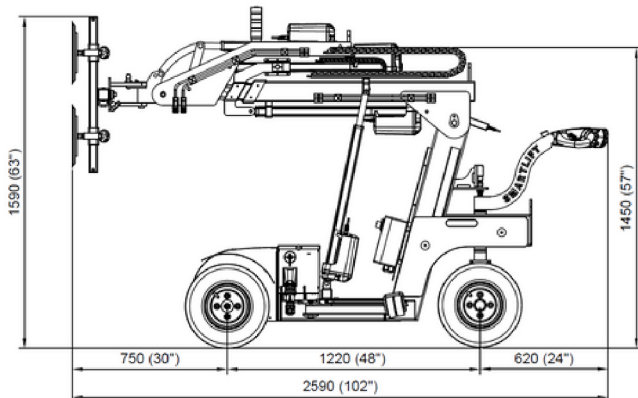
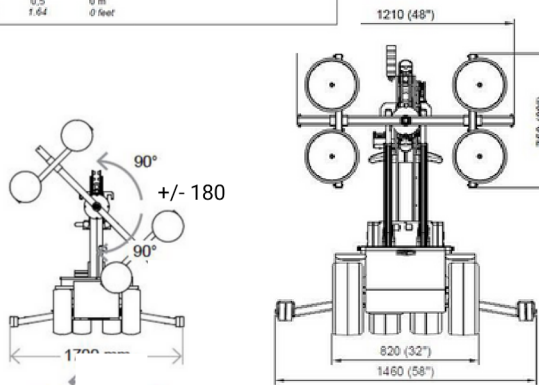
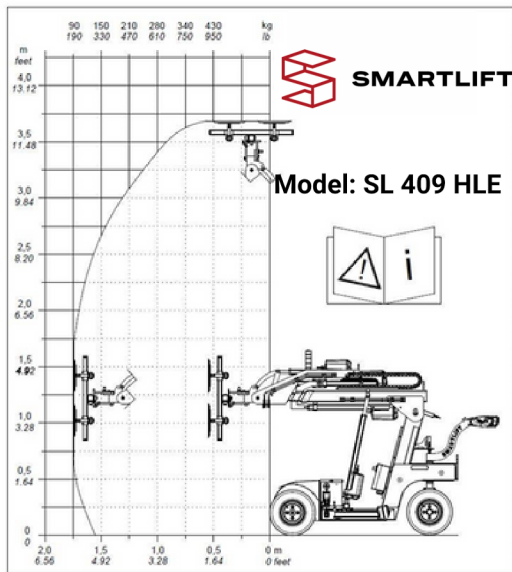


Machine is complete with 2 sections of electric boom extension.

## Our Smartlift 409 High Lifter Electric lifts 430kg

### More Key Features:

- ✓ Off road and front wheel drive
- ✓ CAN bus control system
- ✓ Puncture proof balloon tyres
- ✓ Wireless remote control
- ✓ Lifting height 3.65m from center of yoke
- ✓ 2 sections of electric boom extension
- ✓ Dual vacuum circuits and pumps
- ✓ Adjustable head for table top lift or canopy install
- ✓ 4 fully adjustable suction pads
- ✓ Silicone non marking vacuum pads
- ✓ Vacuum pad covers
- ✓ Variable speed travel controls
- ✓ Multifunctional rotating head
- ✓ Electric brakes
- ✓ Ergonomic operational handle
- ✓ Easily transported on a trailer or in a van
- ✓ Telescopic boom
- ✓ 100mm side shift
- ✓ Operators manual included
- ✓ Risk assessment included
- ✓ NDT certificate for lifting lugs
- ✓ Workshop tested by Zone Group



## TECHNICAL DATA

DESCRIPTION	VALUE
Lifting cap. arm in/out	430kg/100kg
Lifting height	3650mm
Extension of arm	1200mm
Side shift	100mm left & Right
Vacuum System	2 Circuits
Charging time	Approx. 10hrs
Running period	Up to 8hrs
Charging voltage	230V/110V
Battery	(2x12v) 24volt 2x 105A
Suction pads	4x 300mm diameter
Front-wheel drive	1200 W AC
Speed Regulation	Stepless high/low
Brake	Electronic
Width	820mm
Weight	720kg
Tilt	53° Back/ 131° Forward

The vacuum head has movement in all directions.